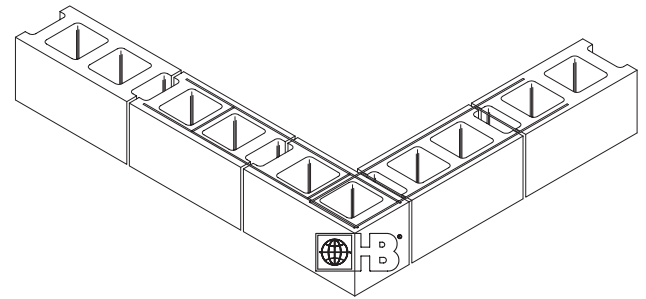
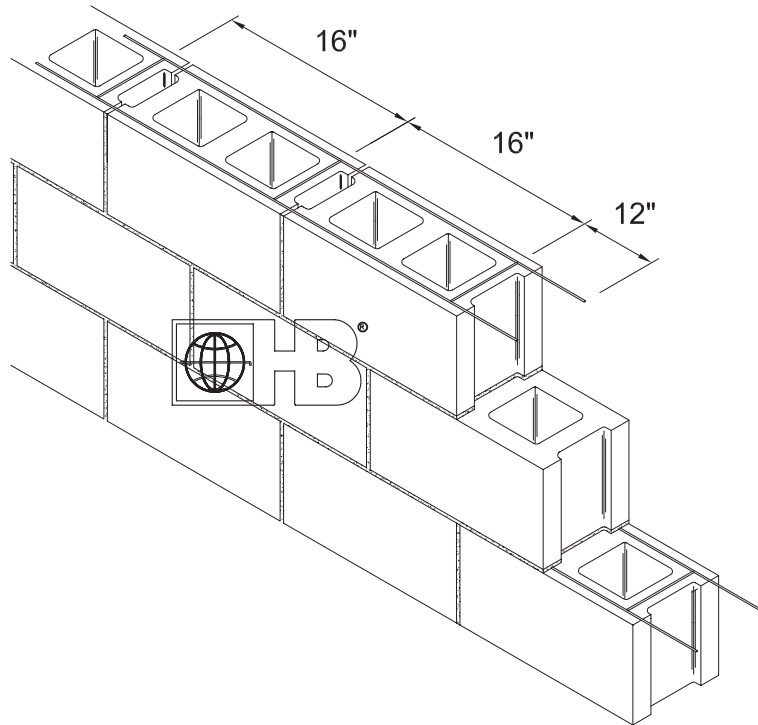


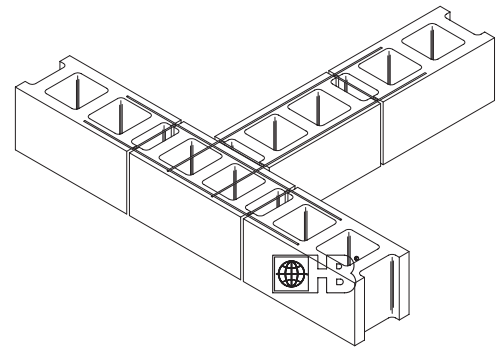


HOHMANN & BARNARD, INC.
A MiTek - BERKSHIRE HATHAWAY COMPANY

Lox♦All® Ladder Joint Reinforcement 220 Ladder-Mesh



PREFABRICATED CORNER



PREFABRICATED TEE

DRAWINGS FOR ILLUSTRATIVE PURPOSES ONLY

MATERIAL CONFORMANCE

Hohmann & Barnard joint reinforcement products conform to:
ASTM A951/A951M (Standard Specification for Steel Wire for Masonry Joint Reinforcement)
ACI / ASCE 530 (Building Code Requirements for Masonry Structures)

Wire (Carbon Steel): Prefabricated from cold-drawn steel wire conforming to **ASTM A82/A82M**
Tensile Strength - 80,000 p.s.i. | Yield Point - 70,000 p.s.i. minimum
Zinc Coating:

Mill Galvanized coating: **ASTM A641/A641M** (0.1 oz/ft²)
Available special order: **ASTM A641/A641M** (0.4 oz/ft²)
ASTM A641/A641M (0.8 oz/ft²)
Hot-Dip Galvanized after fabrication: **ASTM A153/A153M-B2** (1.5 oz/ft²)
Note: Hohmann & Barnard will certify to a minimum of 2.0 oz/ft²

Wire (Stainless Steel): **ASTM A580/ASTM 580M** - AISI Type 304
(Type 316 available on special order)

Wire Diameter:

9 gauge (.148" or W1.7) or 3/16"Ø (.187" or W2.8)
Side Rods and Cross Rods available in any combination of the above.
Cross welded 16" O.C.
First Cross Rods welded 12" in from each end to allow lap splices per code requirements.

H&B manufactures steel wire products from a minimum of 95% post-consumer recycled material.

Finishes:

- Mill Galvanized Coating
- Hot-Dip Galvanized
- Stainless Steel - Type 304 (Type 316 available on special order)

Note: H&B recommends Stainless Steel for maximum protection against corrosion.

Wire Size:

- (S) Standard Weight:
9 Gauge Side Rods x 9 Gauge Cross Rods
- (EH) Extra Heavy:
3/16" Side Rods x 9 Gauge Cross Rods
- (SHD) Super Heavy Duty:
3/16" Side Rods x 3/16" Cross Rods

Block Size:

- | | | | |
|------------------------------|------------------------------|------------------------------|------------------------------|
| <input type="checkbox"/> 4" | <input type="checkbox"/> 6" | <input type="checkbox"/> 8" | <input type="checkbox"/> 10" |
| <input type="checkbox"/> 12" | <input type="checkbox"/> 14" | <input type="checkbox"/> 16" | |

Note: For Corner or Tee, state width of block walls.

HOHMANN & BARNARD, Inc.
30 Rasons Court | Hauppauge, NY 11788
CORPORATE HEADQUARTERS
T: 800.645.0616 F: 631.234.0683
www.h-b.com

Branch/Subsidiary Locations:
ALABAMA - ILLINOIS - MARYLAND
NEW YORK - PENNSYLVANIA - TEXAS
CANADA

© HOHMANN & BARNARD, INC. - 2012