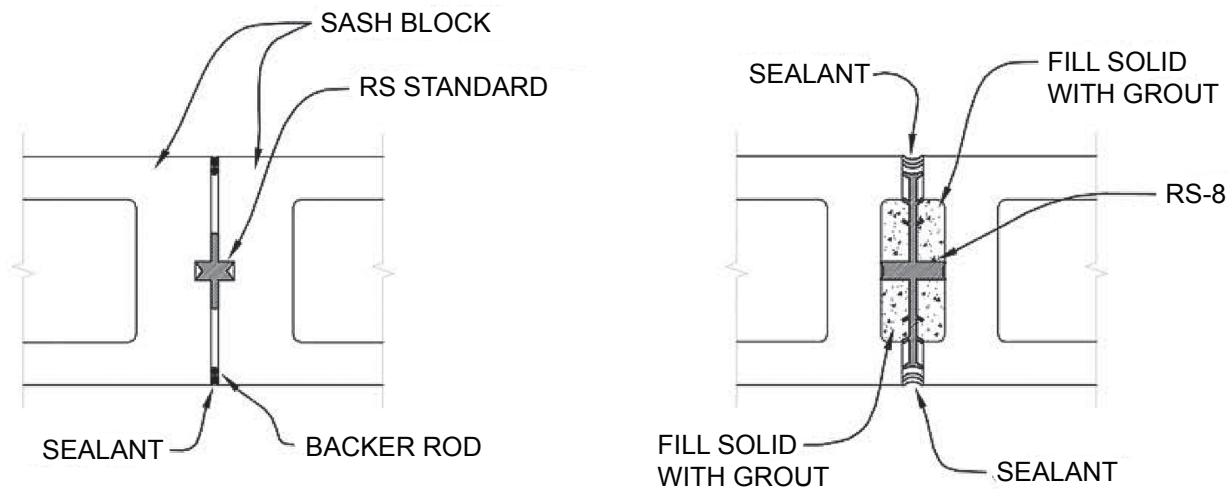
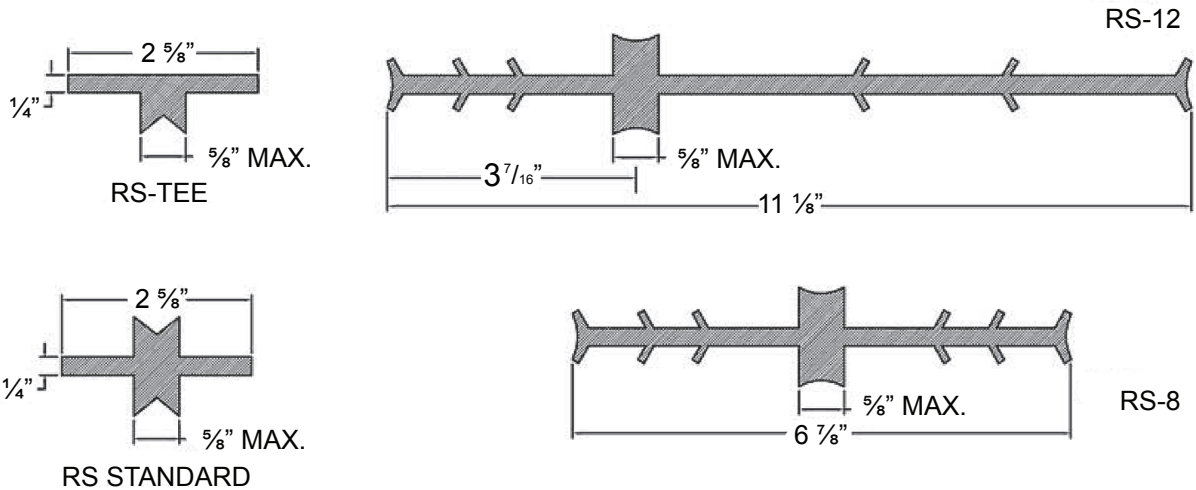




**HOHMANN & BARNARD, INC.**  
A MiTek - BERKSHIRE HATHAWAY COMPANY

## Control and Expansion Joints

# RS Series - Rubber Control Joint



DRAWINGS FOR ILLUSTRATIVE PURPOSES ONLY

### Features:

- Extruded rubber material designed for masonry walls at control joints
- Rubber material conforms to ASTM D2000 2AA-805 (type rubber 654-06) with a durometer hardness of 80 (+ or - 5) when tested in conformance with ASTM D2240
- Length per piece is 4 ft.
- RS Series rubber control joints are manufactured from 50% recycled material.

### RS Series:

- RS-STANDARD
- RS-TEE
- RS-8
- RS-12

**HOHMANN & BARNARD, Inc.**  
30 Rasons Court | Hauppauge, NY 11788  
CORPORATE HEADQUARTERS  
T: 800.645.0616 F: 631.234.0683  
[www.h-b.com](http://www.h-b.com)

**Branch/Subsidiary Locations:**  
ALABAMA - ILLINOIS - MARYLAND  
NEW YORK - PENNSYLVANIA - TEXAS  
CANADA

© HOHMANN & BARNARD, INC. - 2012