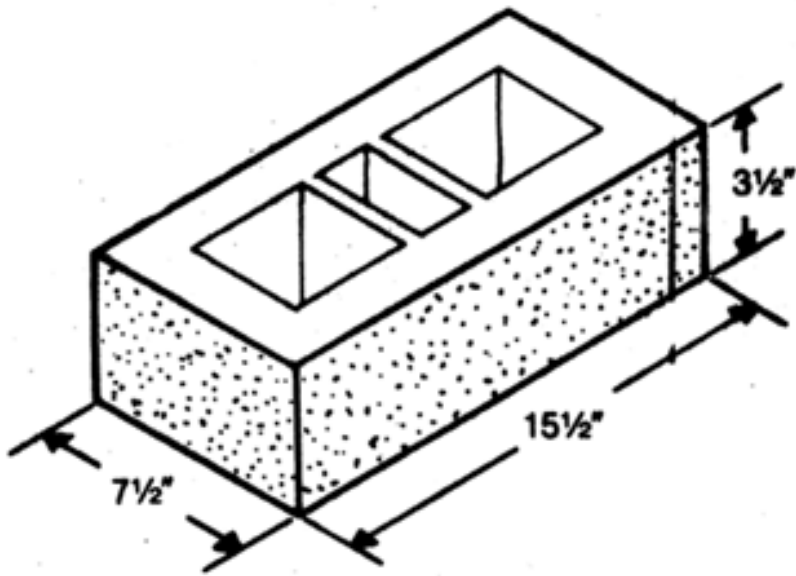
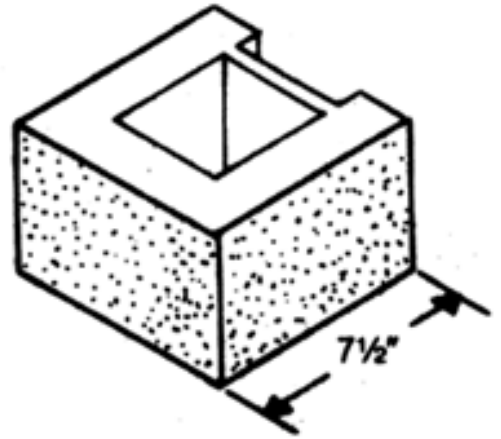


PBY "Ladrillo Grande" Hollow Brick

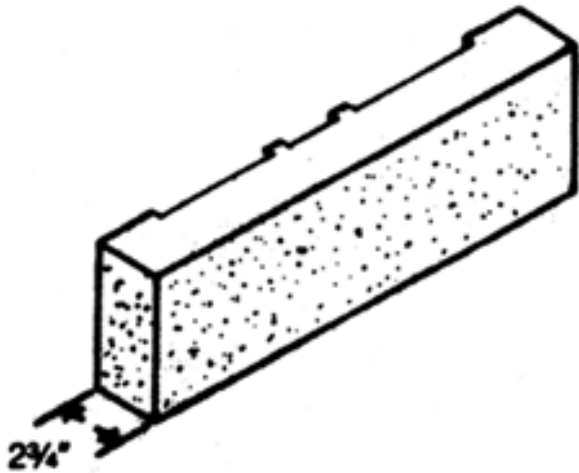
8" x 4" x 16" Series - Shape Chart



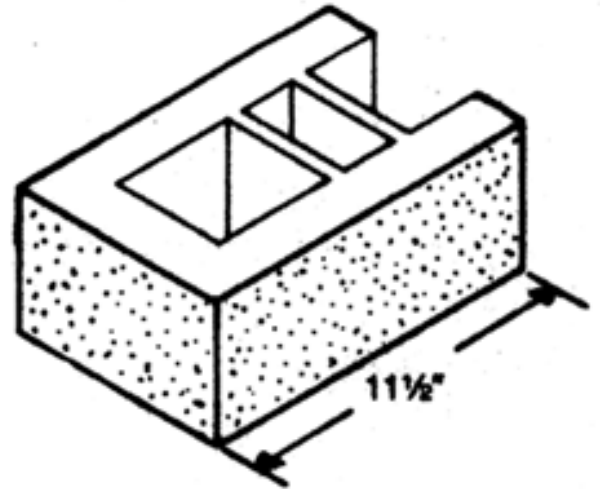
8 X 4 X 16 STRETCHER



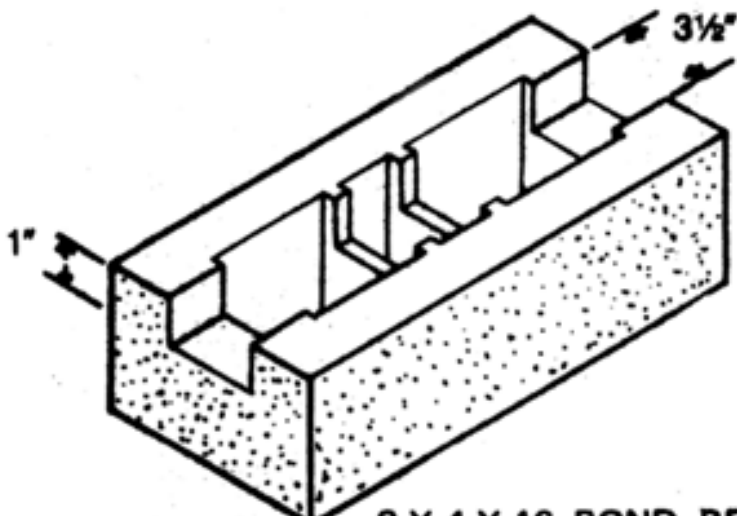
8 X 4 X 8 HALF



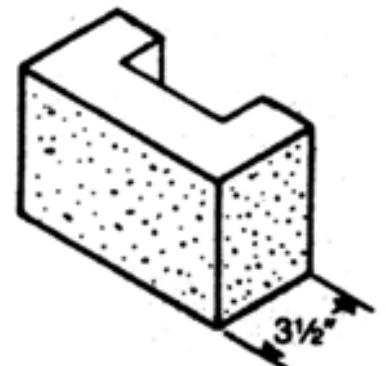
3 X 4 X 16 LINTEL



8 X 4 X 12



3 X 4 X 16 BOND BEAM



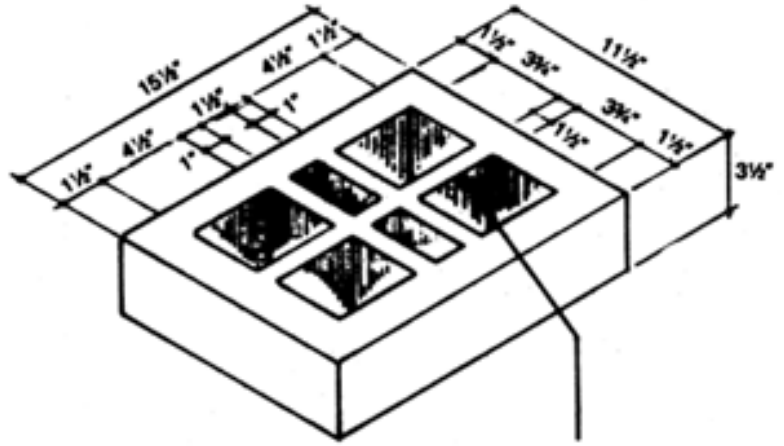
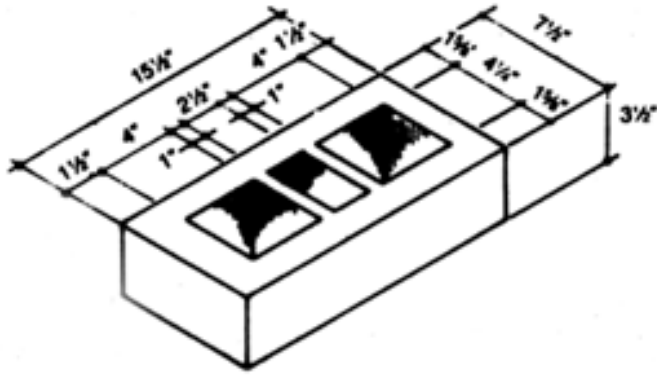
8 X 4 X 4



8 X 4 X 16 BOND BEAM

8 X 4 X 4

Also available in 4", 6", 12" widths



Break out center web when cell contains only one vert. bar

8" WIDE

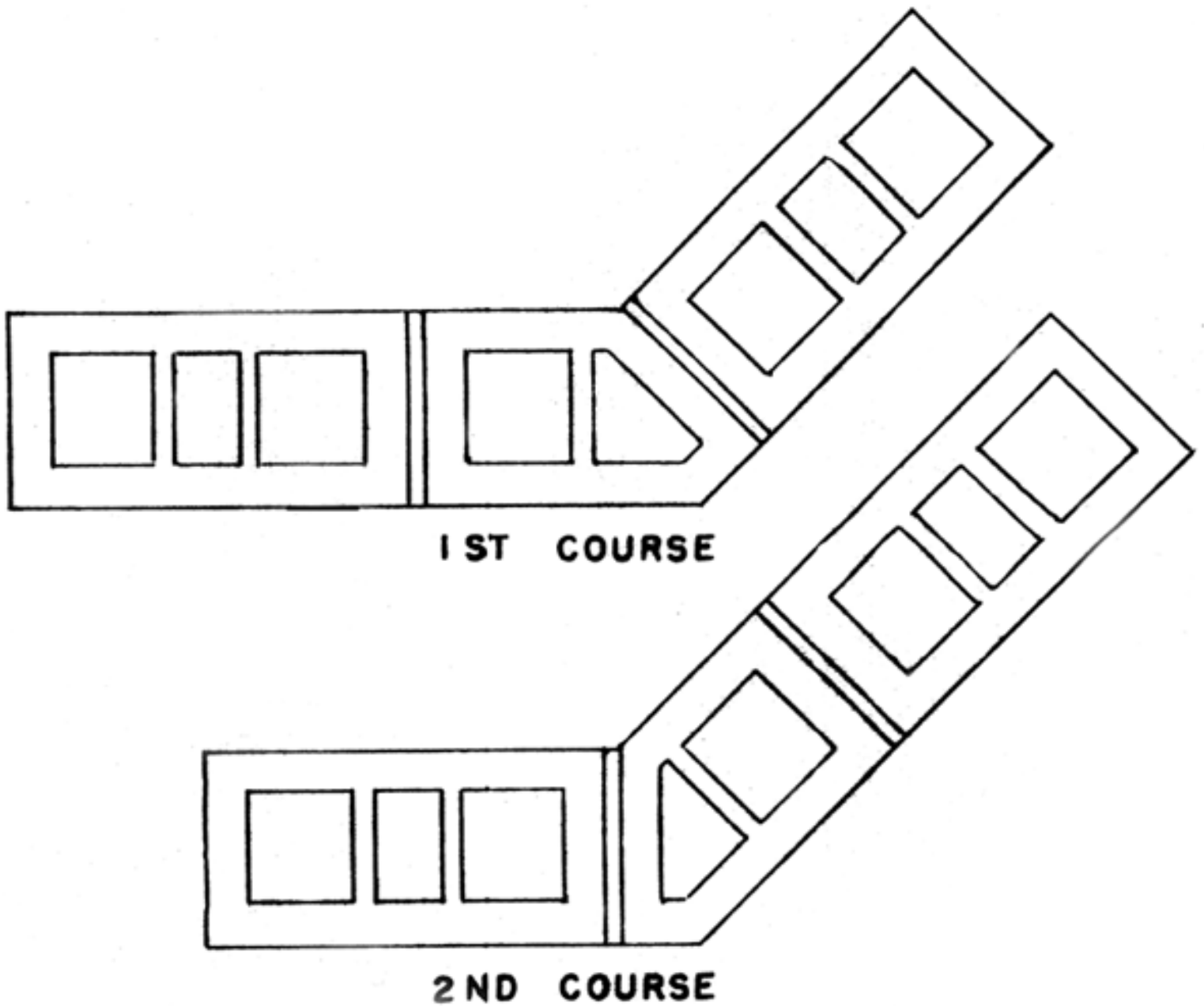
Grouted Cells	Net Area Sq. Inch	Equiv. Solid Thickness	Weight per Sq. Ft. of Wall
No Grout	42	4.8"	44 lbs.
48"	49	5.1	51
40"	50.4	5.2	52
32"	52.4	5.3	54
24"	55.9	5.4	56
16"	63	5.8	60
8"	83.3	6.9	70

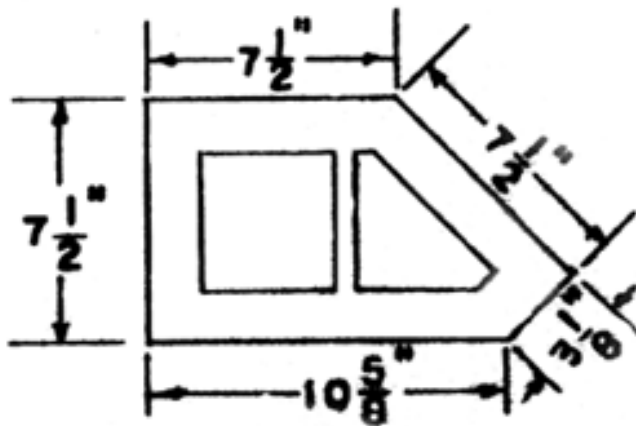
12" WIDE

Grouted Cells	Net Area Sq. Inch	Equiv. Solid Thickness	Weight per Sq. Ft. of Wall
No Grout	42.0	7.31"	62 lbs.

48"	56.5	7.84	75
40"	59.4	7.98	77
32"	63.6	8.20	79
24"	70.9	8.54	83
16"	85.6	9.24	91
8"	128.2	11.33	111

Corner Specifications





PBY "Ladrillo Grande" Chamfered Series

